

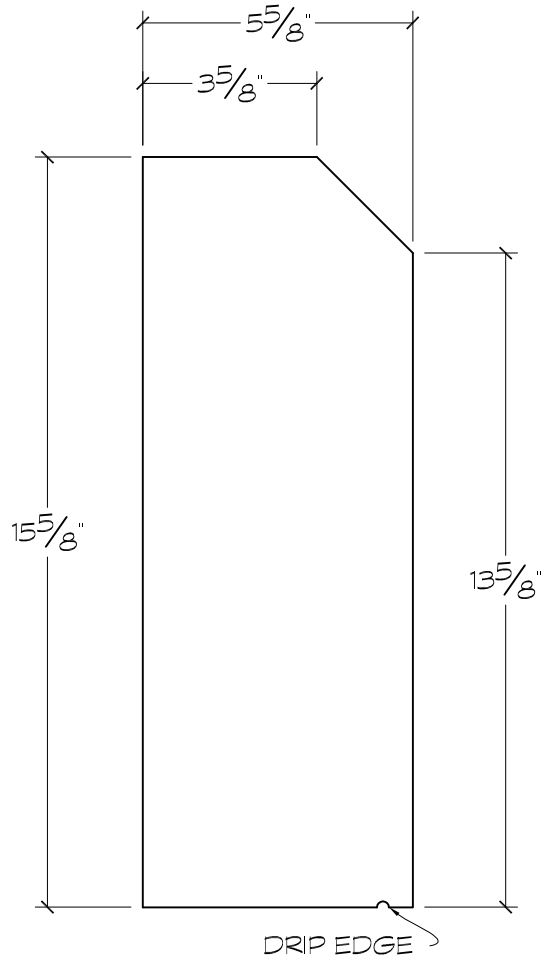
Harvey Cement Products, Inc.

Since 1947

16030 Park Avenue, Harvey, IL 60426

Ph: 708.333.1900 F: 708.333.1910

www.harveycement.com

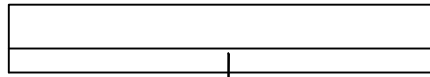


CROSS SECTION

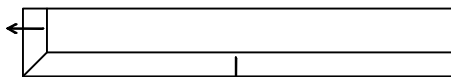
1 **PROFILE GJ**

ARCH REF:  
SCALE: 3"=1'-0"

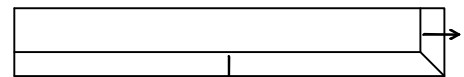
TOP VIEWS



STRAIGHT



LEFT END RETURN



RIGHT END RETURN

Profile ID

**GJ**

**SUGGESTED USE**

|                 |   |
|-----------------|---|
| Sill            |   |
| Transition Band | X |
| Coping          |   |
| Cap             |   |
| Band            | X |
| Cornice         |   |
|                 |   |
|                 |   |

**TYPE / SIZE AVAILABILITY**

| TYPE             | LENGTH(S) |
|------------------|-----------|
| Straight         | 35 5/8"   |
| Left End Return  | 35 13/16" |
| Right End Return | 35 13/16" |
|                  |           |